



## WX3401-B0

### Dual-Band Wireless AX5400 Gigabit Extender

The Zyxel WX3401-B0 Dual-Band Wireless AX5400 Gigabit Extender enables carrier-grade performance. As a key component of the Zyxel MPro Mesh® Solutions, the Zyxel WX3401-B0 delivers smooth Ultra HD and IPTV streaming and seamless roaming for whole-home WiFi coverage.

### Benefits

#### Future-proof deployments with WiFi 6

Offering speeds up to 4800 Mbps\* with 4x4 802.11ax and 600 Mbps\* with 2x2 802.11ax, the Zyxel WX3401-B0 features beamforming technology to empower premium speed for multi-streaming data access and optimal WiFi experience without dead zones.

#### Superior interoperability boosts the efficiency of existing infrastructure

The WX3401-B0 works with compatible Zyxel gateways as part of an integrated mesh network or independently with third-party gateways, facilitating new deployments and ensuring optimized network performance.

#### Zyxel OPAL firmware achieves superior flexibility and shortens time to market

Compliant with the same OPAL firmware trunk applied to all Zyxel CPEs, the WX3401-B0 inherits a rich, field-proven feature set including TR-069, TR-098, TR-181 and more, guaranteeing the same user experience after migrating to new devices.



WiFi 6 (11ax) for superior performance and coverage



Uplink/downlink MU-MIMO and OFDMA



Zyxel MPro Mesh® Solutions (compliant with EasyMesh standards)



Multiple SSIDs for various service deployment scenarios



Auto-provisioning and remote management through TR-069/TR-098/TR-181



In-house developed OPAL realizes the flexibility and faster time to market

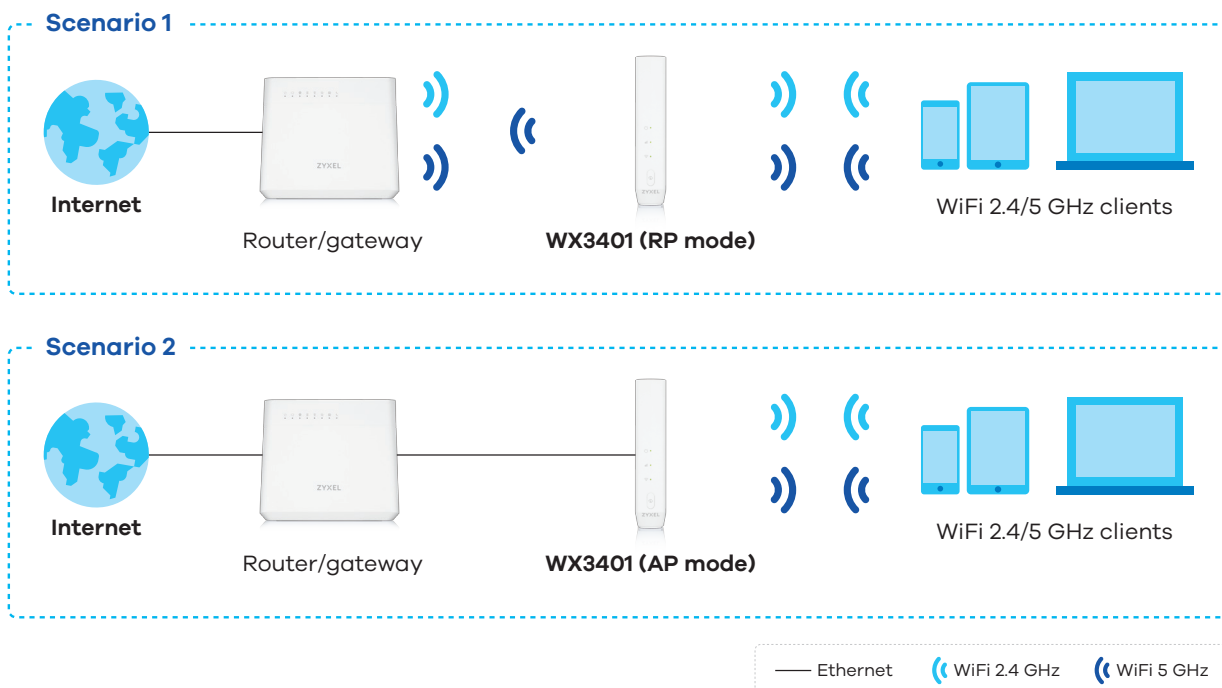
## Premium MPro Mesh® for whole-home WiFi coverage\*\*

Featuring EasyMesh standards-compliant Zyxel MPro Mesh® Solutions, the Zyxel WX3401-B0 enhances subscribers' connectivity experience by providing self-adapting, easy-to-manage whole-home WiFi coverage, while reducing your service OPEX with mature remote management features and an in-house developed mobile app.

## Remote management through TR-069/TR-098/TR-181 for lowest OPEX

Compliant with TR-069/TR-098/TR-181, the Zyxel WX3401-B0 significantly simplifies the complexities of deployment. Furthermore, it lowers operating and maintenance costs with its remote management capability.

## Application diagram



# Specifications

## System specifications

### Wireless standards

- IEEE 802.11a/n/ac/ax 5 GHz
- IEEE 802.11b/g/n/ax 2.4 GHz

### Wireless speed

- Transmit/receive:
  - 4800 Mbps\* for 5 GHz
  - 600 Mbps\* for 2.4 GHz

### Wireless security

- WPA2-PSK/WPA3-SAE

### Wireless features

- Auto channel selection
- MU-MIMO and beamforming
- Video-grade QoS
- WiFi Protected Setup (WPS)
- WiFi Multimedia (WMM)
- MAC address filtering
- Multiple SSIDs
- AP/Band steering

### System management

- HTTP/GUI
- TR-069/TR-098/TR-181 remote management
- Remote firmware upgrade
- Dual images system recovery
- DHCP client and IGMP snooping
- MPro Mesh® management

### Operation mode

- AP/repeater

### MPro Mesh® management

- Pre-associated steering
- 5G/2.4G band steering
- Multi-AP roaming
- Band balancing
- Backhaul optimal

## Hardware specifications

### LAN

- Two 1GbE RJ-45 ports with auto MDI/MDIX support

### Antenna

- 5G: four internal antennas
- 2.4G: two internal antennas

### LED indicator

- PWR/SYS
- Link signal
- WiFi/WPS
- LAN1/LAN2 (on Ethernet port)

### Buttons

- Power on/off switch
- Reset
- WPS

## Power consumption

- 12 V DC, 1.5A
- 18 Watt max

## Physical specifications

- Item dimensions (WxDxH):  
165 x 36 x 139 mm  
(6.49" x 1.41" x 5.47")
- Item weight: 318.2 g (0.7 lb.)
- Packing dimensions (WxDxH):  
250 x 39 x 220 mm  
(9.84" x 1.53" x 8.66")
- Packing weight: 616.2 g (1.36 lb.)

## Environment specifications

### Operating environment

- Temperature:  
0°C to 40°C (32°F to 104°F)
- Humidity:  
10% to 90% (Non-condensing)

### Storage environment

- Temperature:  
-30°C to 70°C (-22°F to 158°F)
- Humidity:  
10% to 95% (Non-condensing)

## Certification

- CE
- Safety
- ErP

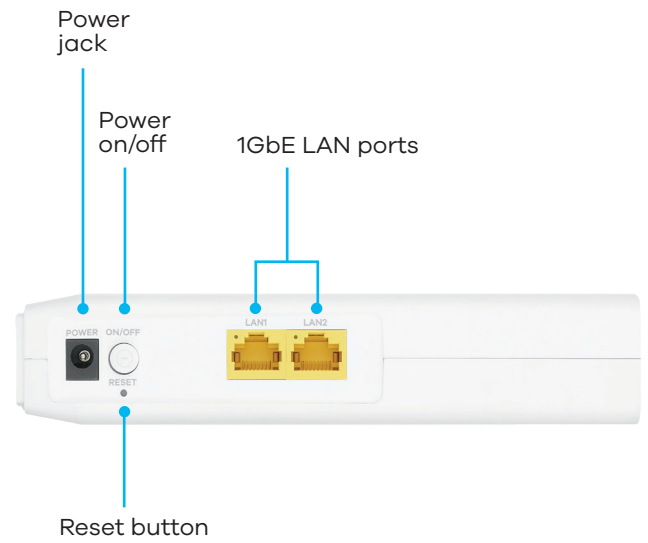
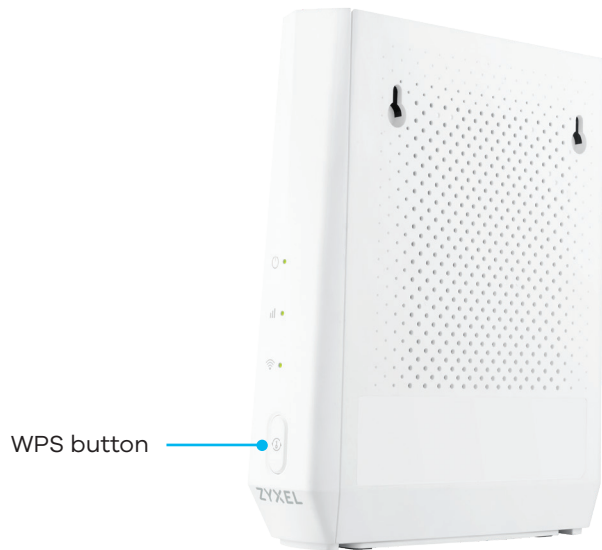
## Package contents

- Wireless bridge
- Power adapter
- Ethernet cable
- Quick Start Guide

\* The maximum wireless data is derived from IEEE standard 802.11 specifications. Actual data transfer rate will vary from network environment including: distance, network traffic, building site materials/construction, interference from other wireless devices, and other adverse conditions.

\*\*Combining WX3401-B0 with the same Wireless Extender is advised for the ideal mesh network performance. Please contact us for detailed mesh function availability.

## Hardware interface



For more product information, visit us on the web at <https://service-provider.zyxel.com>

Copyright © 2021 Zyxel and/or its affiliates. All rights reserved.  
All specifications are subject to change without notice.

